

## FC Series Fiberglass Cooling Tower



FC740 Cooling Tower

### Stainless Steel Fasteners

Stainless steel fasteners provide added strength and corrosion resistance for long life and durability in severe environmental conditions.

### PVC Fill and Internal Piping

Optimal efficiency and long life with low maintenance and no concern of rust or corrosion typical of galvanized steel towers.

### Fiberglass Inlet Louvers

Air inlet louvers kept unwanted debris and animals out of the basin and ensure water splashes in the basin stay in the tower.

### Pressurized Water Distribution System

Pressurized, nonferrous fixed spray nozzles with large non-clogging openings mounted in PVC distribution piping for trouble-free operation.

### Factory Assembled

Fully assembled with motor and fan removed to prevent shipping damage makes installation quick and easy.

### Warranty

10 year parts on fiberglass shell  
5 year parts on fan motor warranty  
1 year parts on complete cooling tower

## Standard Features

### Fiberglass Construction

Corrosion resistant rugged fiberglass withstands harsh weather and industrial manufacturing environments.

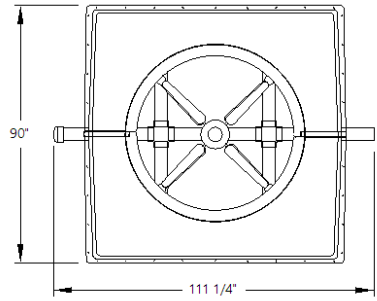
### Direct Drive Fan Motor

Direct drive motor with permanently sealed bearing connected direct to fan to eliminate motor bearing, belt, pulley, and gear box maintenance.

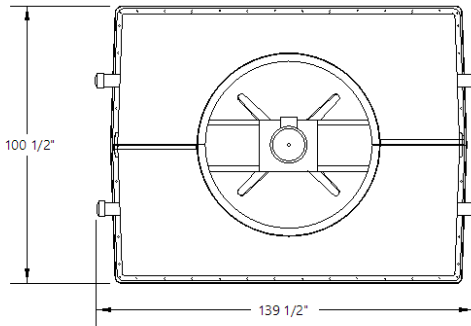
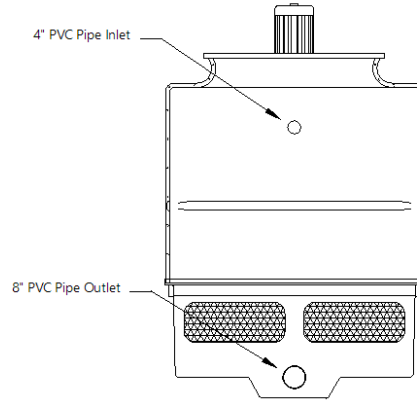
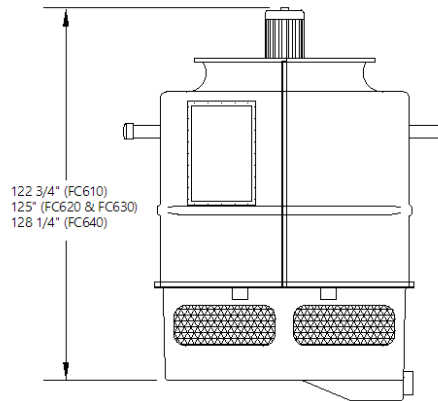
Model	Cooling Tons <sup>1</sup>	Fan Motor		Nominal Flow (gpm)	Inlet Pressure Required (psi)	Operating Range (gpm)	Shipping Weight (lbs)	Operating Weight (lbs)
		hp	FLA @ 460/3/60					
FC610	100	3	6	300	6	200 to 600	1,760	4,535
FC620	115	5	9	345	4	200 to 600	1,910	4,535
FC630	125	5	9	375	4	200 to 600	1,910	4,685
FC640	140	7½	12	420	5	200 to 600	2,150	4,925
FC710	170	7½	12	510	5	350 to 725	2,660	5,230
FC720	185	10	17	555	6	350 to 725	2,700	5,530
FC730	205	10	17	615	7	350 to 725	2,700	5,570
FC740	240	15	24	720	10	350 to 725	2,750	5,570

<sup>1</sup>Cooling Tons based on 15,000 BTU/Hr/ton with 85°F leaving water, 78°F wet bulb and 3 gpm/ton tower water.

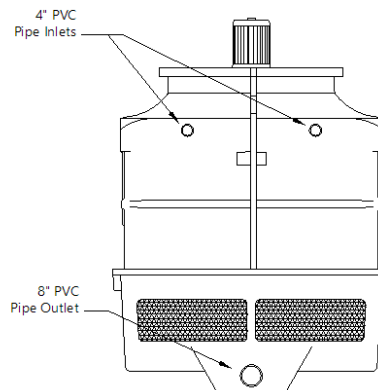
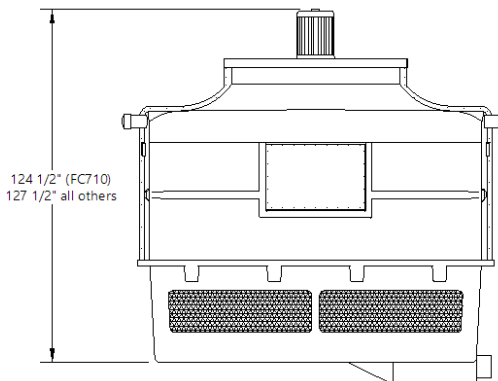
# FC Series Fiberglass Cooling Tower



FC600 Series



FC700 Series



5680 W. Jarvis Ave • Niles, IL 60714  
847-966-2260 • info@thermalcare.com  
[www.thermalcare.com](http://www.thermalcare.com)

**Thermal Care is ISO-9001 Certified**  
Manufacturer reserve the right to change specification  
or design without notification or obligation  
FC Specification 00